

AV8180

8 Megapixel 180° Panoramic IP-camera

Arecont Vision
megapixel technology...
beyond imagination



AV8180 network camera delivers full motion progressive scan 1600 x 1200 video across four 2MP sensors at 22 fps featuring massively-parallel, multi-sensor SurroundVideo® image processing architecture capable of sustaining over 6 billion operations per second. Unique SurroundVideo® 8-megapixel network cameras deliver full motion 180° panoramic view.

Surround Video® Series

Arecont Vision Advantages:

Unparalleled High Definition Resolution

- Resolution up to 1,600 x 1,200 (W x H) per sensor
- Total resolution: 6400 x 1200 (W x H) - (4 x 2 MP)
- Substitute up to twenty-four analog cameras

High Definition Panoramic 180° Imaging

- No de-warping software required

Forensic Zooming

- Zoom live or after-event while recording full field of view in HD ... replace PTZ devices

Reduced Overall System Cost

- Less cameras to install, less wiring, no external power (POE), less NVR licensing fees

Cost Efficiency

- Comparable cost to mechanical PTZ cameras

Other key features

- Moonlight™ Mode - extended exposure and proprietary noise cancellation
- Up to four regions of interest for simultaneous panoramic and digital PTZ viewing and recording
- Image cropping to discard unnecessary scene and more



Learn more about our products at www.arecontvision.com

Model Numbers: AV8180

AV8180: 180° Field of View

Imaging

- Four 2 megapixel CMOS image sensors
- 1600(H) x 1200(V) pixel array each sensor
- 1/2" optical format
- 4.2 μm pixel pitch
- Bayer mosaic RGB filter
- Sensitivity 0.2 lux @ F2.0
- Dynamic range 60 dB
- Maximum SNR 45 dB
- Moonlight™ mode - extended exposure and proprietary noise cancellation

Full Field of View (FOV) Resolutions

- 1600 x 1200 (HxW) x 4 8 megapixel total
- 1200 x 600 (HxW) x 4 1/4 resolution

Data Transmission

- Data rate up to 55Mbps
- Video frame rate up to:
 - 88 fps @ 800x600
 - 22 fps @ 1600x1200
- Motion JPEG with 21 levels of quality
- TFTP and HTTP image transmission protocols
- 100Base-T Ethernet Network Interface

Programmability

- Auto exposure (AE) and Gain Control (AGC) >120dB
- On-camera motion detection with 64 detection zones
- Auto backlight compensation
- Auto multi-matrix white balance
- 50/60Hz selectable flicker control
- Electronic pan, tilt, zoom (PTZ)
- Electronic image rotation - up-side Down image turn
- Resolution windowing down to 32x32 pixels window
- Programmable motion blurring control for low-light mode
- Moonlight™ mode - extended exposure and proprietary noise cancellation
- Programmable resolution, brightness, saturation, gamma, sharpness, tint
- Picture-in-Picture: simultaneous delivery of full field of view and zoomed images
- Bandwidth & storage savings by running at 1/4 resolution

Electrical

- Power Over Ethernet (PoE) or DC input
- Compatible with IEEE 802.3 PoE equipment
- Power consumption 7.8 Watts maximum

Regulatory Approvals

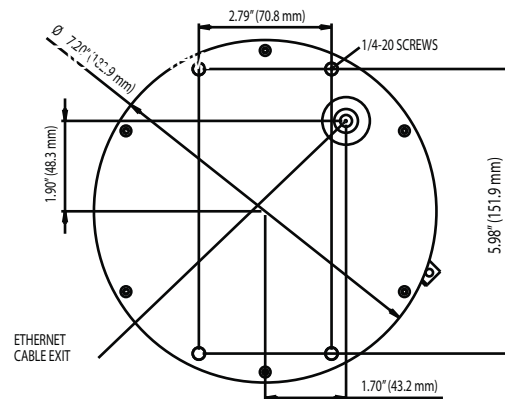
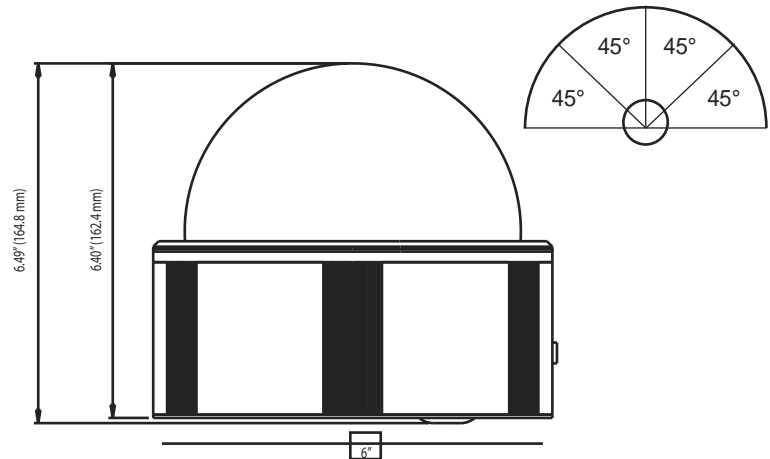
- FCC and CE compliant

Mechanical

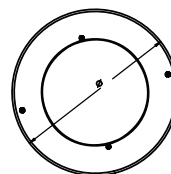
- 4 pounds or 1815 grams
- M12 x 0.5 lens mount

Environmental

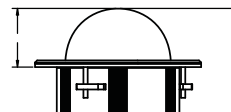
- Operating temperature 0°C (32 °F) to +50°C (122 °F)
- Storage temperature -20°C (-4 °F) to +60°C (140 °F)
- Humidity 0% to 90% (non condensing)



- Accessories:**
- Dome 6-I-C - Indoor 6" Pendant Dome, Ceiling Mount
 - Dome 6-I-W - Indoor 6" Pendant Dome, Wall Mount
 - Dome 6-O-C - Outdoor 6" Pendant Dome, Ceiling Mount
 - Dome 6-I-W - Outdoor 6" Pendant Dome, Wall Mount
 - RD-KIT - Recessed Dome Ring Kit



Recessed Dome Ring Kit



Revised on 06/16/08.